

HeLAN Manual Door Controller

I-He-MDC Rev A

Overview:

The HeLAN Manual Door Controller is a HeLAN data bus module that wires directly to the Door-EZ HeLAN data bus and Door control buttons.

The He-MDC provide:

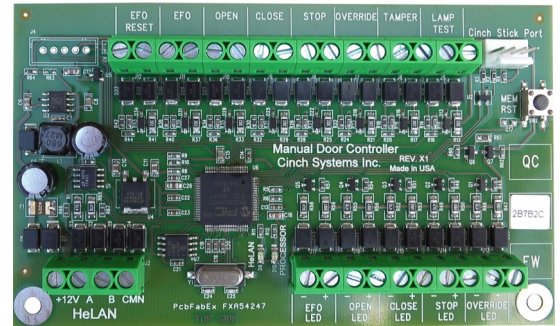
- Open pushbutton
- Close pushbutton
- Stop pushbutton
- EFO/Reset Key Switch
- LED status indication
- LED Test Input

He-MDC - Manual Door Control

8 Inputs	3 Outputs (LED)
EFO Reset	EFO
EFO	Open
Open	Close
Close	Stop
Stop	Override
Override	
Tamper	
Lamp Test	

The He-MDC wires directly to the control box buttons and LED's, the reset switch is used for EFO reset function.

Note: A single He-MDC board is used for each individual set of buttons for Door control



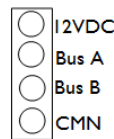
Installation:

The control modules are installed in the manual button control box. Each module is individually wired to it's respective control buttons, LED's and switches

The modules can be mounted on the side or mounted in the bottom of the control box.

Wiring:

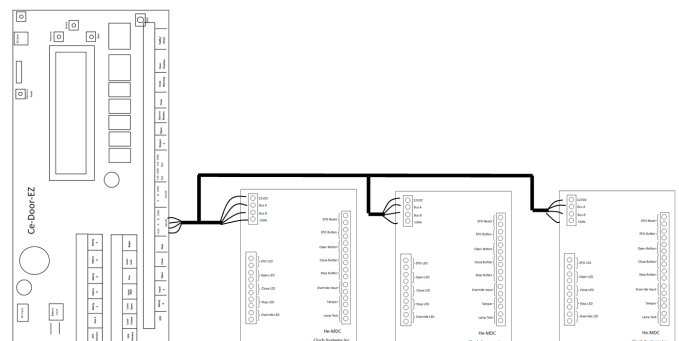
The He-MDC is wired to the Door-EZ HeLAN data bus and must maintain a constant communication for proper operation.



Each module has a data bus header that is wired to the Door-EZ data bus.

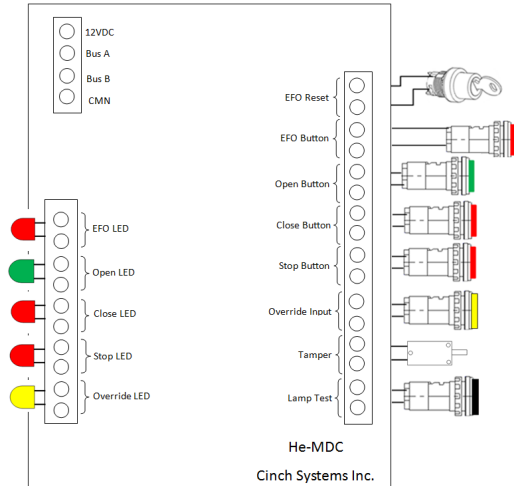
Note: use common colors when wiring data lines to maintain consistency

The Door-EZ HeLAN data bus can be wired in a star, daisy-chain or home-run configuration, it is critical to keep all Bus A and Bus B wires consistent through-out the installation.



He-MDC Wiring:

The Manual Door Control has inputs for buttons and outputs for LED's and a reset switch for EFO reset.



If wiring in a master control box that controls multiple Doors, each Door will have it's own He-MDC, if there is only a single EFO that operates all Doors, only wire a single Door to the EFO input and use the EFO Sync feature in Door-EZ to program the operation

Note: If multiple Doors need to EFO with a single button press, only wire a single module to the switch and use the EFO Sync programming option in Door-EZ

Example: only Door 1 is wired to the EFO switch, in Door-EZ enter system programming and select Door 1 module, Sync/Interlock and EFO Sync Door 1 to Door 2 and Door 2 to Door 3

HeLAN Connection	
12VDC	In from Door-EZ or other 12VDC power supply
Bus A	Data bus A from Door-EZ
Bus B	Data bus B from Door-EZ
CMN	Common
Inputs	
EFO Reset	Unlocks EFO
EFO	Emergency Operate
Open	Open Command
Close	Close Command
Stop	Stop Command
Override	Override Safety Condition
Tamper	Enclosure Tamper Input
Lamp	Lamp Test Input
Outputs (LED) *	
EFO	LED Output
Open	LED Output
Close	LED Output
Stop	LED Output
Override	LED Output

* Output rated for 6VDC

Programming:

Programming is accomplished using a touch screen connected to the Door-EZ data bus. The touch screen must be enrolled into the system in order for programming to commence.

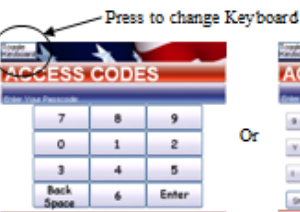
Once installation and wiring is complete the manual Door module must be enrolled in the Door-EZ system in order to complete programming.

Enrolling modules:

From the Door-EZ system touch screen enter system programming



Press the upper left followed by the upper right on the touch screen, a key board will display, enter a valid access code



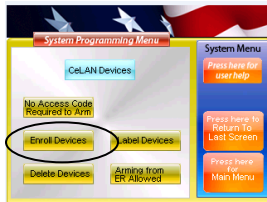
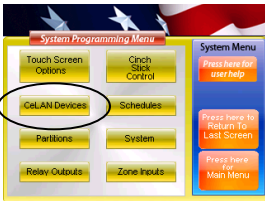
Or

Default Installer Code: 12345

Once the access code is accepted select **HeLAN Devices** from the Main Menu then select **En-**

roll

devices



During this process all of the Door control modules are enrolled into the Door-EZ control panel, when complete the touch screen will display “All Devices Enrolled



Press Return to Last Screen to bring back the HeLAN Menu and select Label Devices\

Labeling HeLAN Devices:

Before programming devices make sure to assign text descriptors or labels to each device. This will make programming faster and easier. (add label ——section)

Labeling HeLAN Devices:

Before programming devices make sure to assign text descriptors or labels to each device. This will make programming faster and easier. (add label ——section)

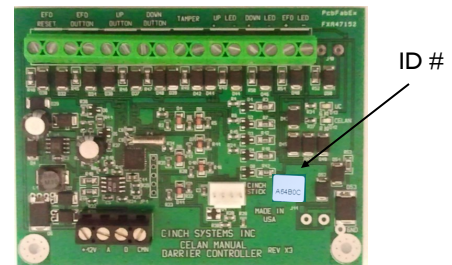
Each module has two areas of programming that must be completed for proper operation

Door assignment - each module must be assigned to control a Door-EZ module, during programming the system allows the user to select the Door-EZ module to control

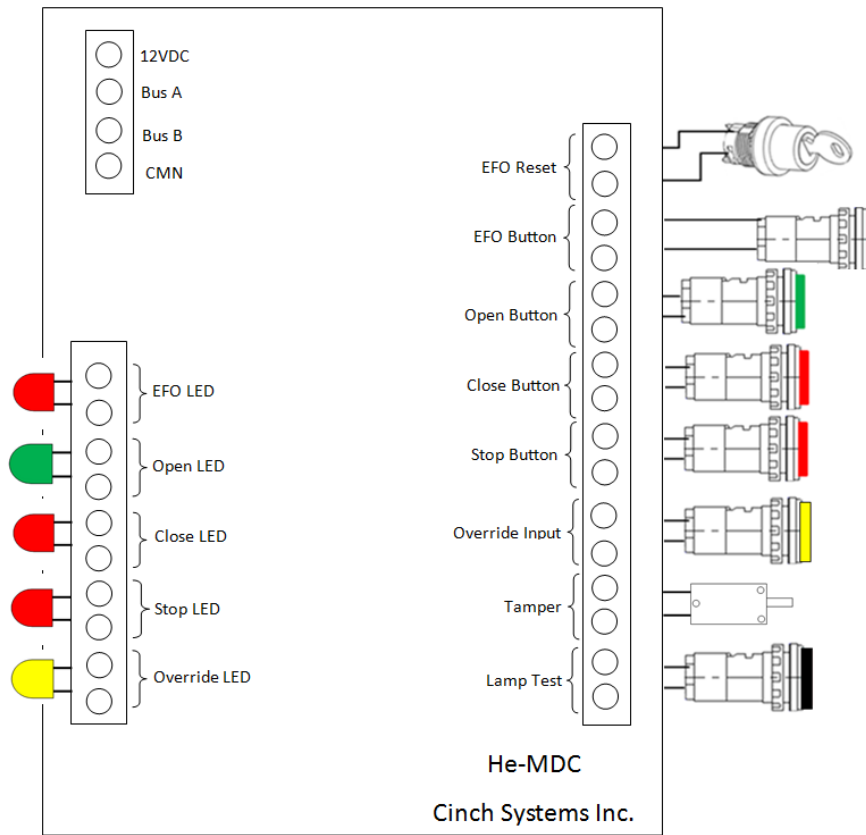
Priority setting - if the system to be programmed has master and remote control boxes and the master controller needs to be able to control the power of the remotes, this setting should be used

While in system programming enter the **HeLAN Menu** and **Label Devices**, using the Up/Down arrow find the MDC module to program.

All HeLAN modules are assigned a unique ID# for reference, in



MDC - Manual Door Control



HeLAN Connection	
12VDC	In from Door-EZ or other 12VDC power supply
Bus A	Data bus A from Door-EZ
Bus B	Data bus B from Door-EZ
CMN	Common
Inputs	
Key Switch	Input from EFO reset switch
EFO PB	Input from EFO button
UP PB	Input from Up button
DWN PB	Input from Down button
Outputs	
Tamper	Not used
UP LED*	Output for UP status
DWN LED*	Output for Down status
EFO LED*	Output for EFO status

* LEDs rated for 6VDC