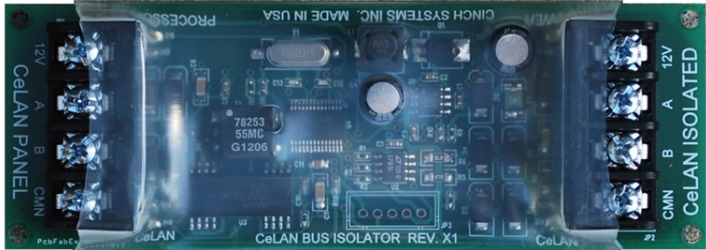


CeLAN Isolator

DS-Ce-Isolator Rev A



General

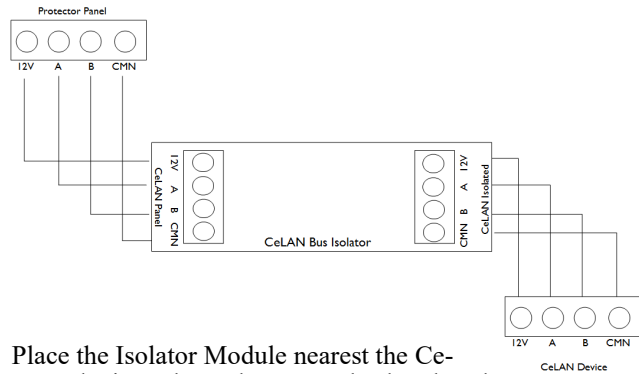
The CeLAN Isolator Module provides filtering of unwanted signals on the CeLAN data bus. One of the most common problems with alarm systems is the integrity of the data bus. There are many sources that can cause induced noise on the bus that can affect system performance. Noise can be generated from many sources:

- Lighting
- Audio Components
- Power generators
- High voltage

It can be difficult to assess the source of data noise, the Isolator Module will remove all unwanted noise generated from any source

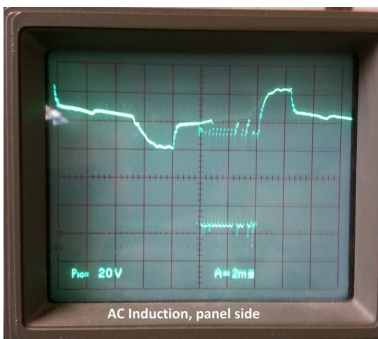
Wiring

The Ce-Isolator should be located on the far side of the suspected noise generating device nearest the Ce-LAN device(s) it is protecting



Place the Isolator Module nearest the Ce-LAN device. The Isolator can also be placed before a Ce-Ex (Expansion Module) providing up to 10 Isolated outputs

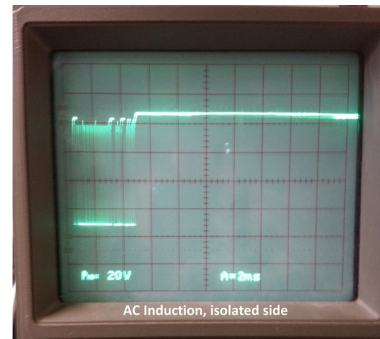
Ce-Isolator



AC Induction as seen induced on the CeLAN data bus



Ce-Isolator



The same CeLAN data bus as seen after the Ce-Isolator. The Isolator eliminates the AC induced noise cleaning up the bus for better performance