

System Enclosure Tamper S-ET

Product Part # S-ET

Datasheet: S-ET Rev A1

Reed-actuated wall and cover tamper switch.
Mount with or without self-adjusting screw
in place.

Closed-loop with built-in automatic
service shunt.

UL 1076 approved

The System Enclosure Tamper or S-ET is used to protect security system enclosures from removal and or cover tamper.

The S-ET can be used as a wall tamper, a cover tamper, or both, as illustrated in image below. Adjustable plunger screw can be set to accommodate different wall or cover gap sizes.

The tamper may be mounted with or without self-adjusting extender screw in place. With the extender screw removed, plunger will recede flush to housing.

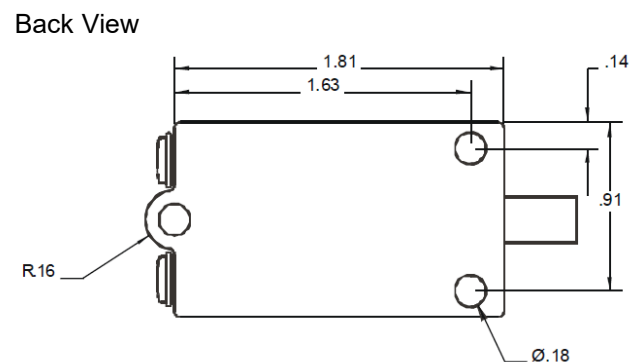
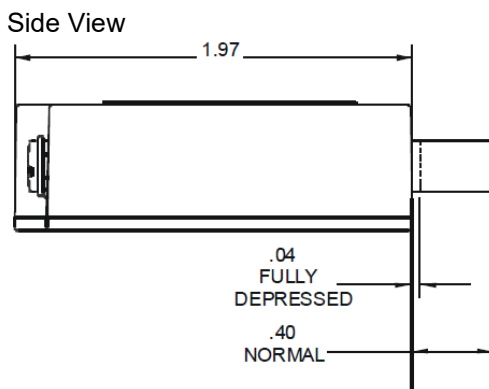


Specifications

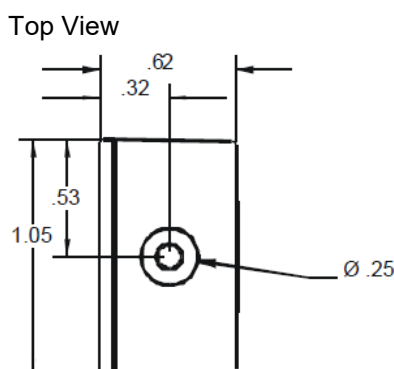
| | |
|-------------------------------|---|
| Color: | Dark Brown |
| Voltage: | 100 VAC/DC Max |
| Current: | 0.5 A Max |
| Power: | 7.5 W |
| Operating Temperature: | 23° to 131°F (-5° to 55°C). Up to 140°F or 60°C under temporary conditions. |
| Storage Temperature: | 23° to 131°F (-5° to 55°C) |
| Maximum Humidity: | 90% relative humidity, non- condensing |
| UL Listed: | UL 1076 |

Mounting Instructions:

Locate switch so that removal of covering plate or door will allow the plunger to be fully extended. Plunger travel fully extended to fully depressed is approximately 3/16". Mount switch with three 6-32 x 1 screws and 6-32 nuts provided. When pre-drilling for screws is necessary use .100" bit (#39). To increase reach of plunger, thread extender screw into switch 1/4". Close cover plate or door. Extender will slide inward to accommodate opening. The extender screw can also be manually adjusted with a screwdriver. When servicing equipment the effect of having the plunger depressed (i.e. closed loop) can be simulated by gently pulling plunger outward into the locking position.



All dimensions in inches.



Includes:

- Tamper switch
- Mounting screws and nuts
- Plunger extension screw
- Installation manual