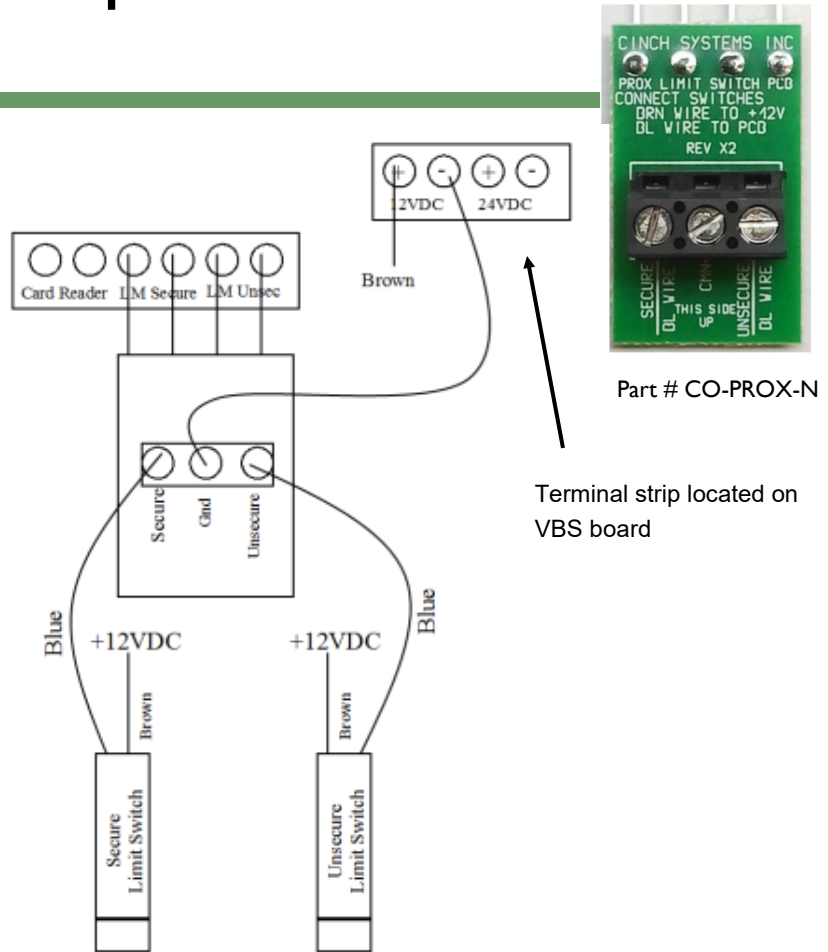


Proximity Limit Switch Adapter

DS-CO-PROX- N Rev A. VBS Jan. 2012

The CO-PROX is a conversion board to allow the use of Inductive Proximity Limit Switches on the VBS Module. The CO-PROX is designed for 2-wire Proximity Limit Switches (AK1-A0-4A) and operates on 10-30VDC supplied from the VBS module.

Specifications



Ordering

Control Panel
RCU-VBS Rampart Panel

Touch Screen
Ce-TS -VBS Touch Screen
Ce-TS-VBS-P Touch Screen with plastic surface mount

CeLAN Expansion
Ce-P Printer
Ce-RP Remote Power
Ce-RP kit Remote Power Kit
Ce-Ex Expansion Module
Ce-MBC Manual Button Controller
Ce-MGC Manual Gate Controller
Ce-MMS Manual Mode Selector
Ce-RCP-SB Master/Remote Controller

CeLAN Modules
Ce-VBS-N VBS Control

Communication Modules
Ce-T422 Data Translator
Ce-FC-N Fiber Conversion
Ce-FC-S Single Mode
Ce-TCP/IP Network Module
Ce-FC-ER Fiber Conversion

CeLAN Accessories
CO-PROX Limit Switch
CO-CSU Cinch Stick
CO-PS2KI Keyboard Module
CO-T-Printer Printer Tester

Power
ACC-T24V-100 Transformer
ACC-B12-18 18Ahr Battery
ACC-B12-7 7Ahr Battery
ACC-6P Power Cord
E-CB Termination Box

Accessories
L-M-KD Panel Lock
L-M-KA Panel Lock
ACC-CFC-S Fiber Cable
L-S Standard Panel Lock
ACC-CFC-MM Fiber Cable
S-ET Panel Tamper
E-P-AP Adapter Plate for Enclosure
E-Stahlin-12x12 Mounting Bracket

Enclosures
E-R Panel Enclosure
E-R-Kit
E-CP Plastic Enclosure
E-PA Accessory Enclosure
E-PA-Kit
E-PA-S Small Accessory Enclosure
E-PA-S-Kit
E-P-Blank-Kit
E-Stahlin-12x12 NEMA VBS Enclosure