

24ZI Test Board

I-CO-T-24ZI Rev A

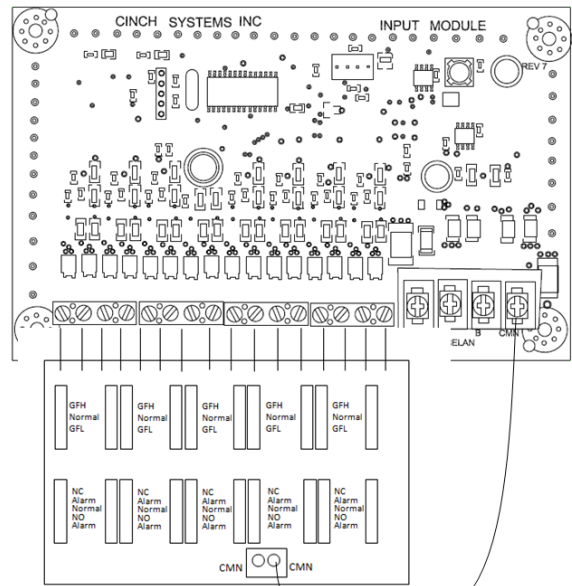
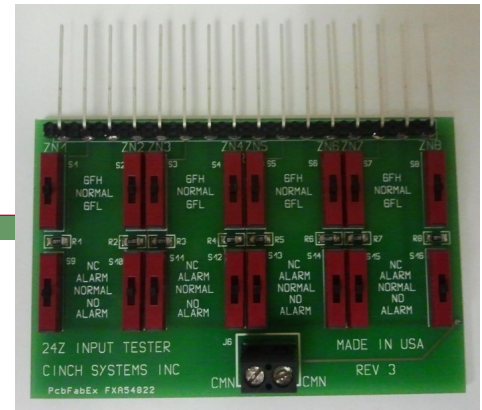
Overview:

The CO-T-24ZI tester board is used to test the zone inputs on a Ce-24ZI input module. The module can also be used to test inputs on a Ce-8ZI board

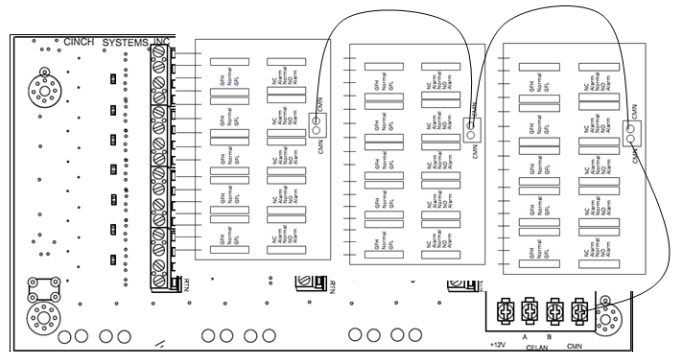
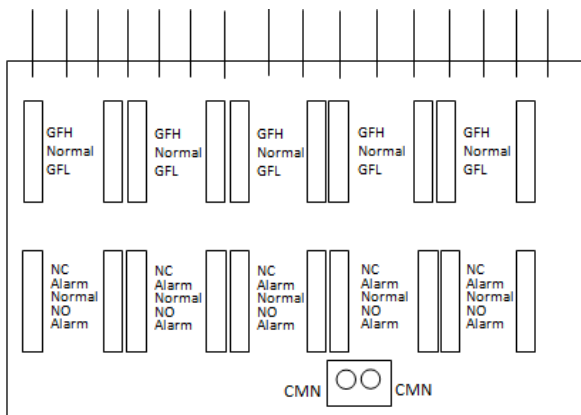
Installation:

The test board connects directly to the terminal strip on the 8ZI or 24ZI module (the 24ZI uses 3 test boards)

Connect a wire from the test board common terminal to the common terminal on the module



Ce-8ZI test board connection



Ce-24ZI test board connection, 3 boards are used, make sure all commons are connected to the board common.

GFH—Ground Fault High

GFL—Ground Fault Low

NC Alarm—Normally Closed

NO Alarm—Normally Open

CMN—Common to 8ZI or 24ZI board