

CeLAN Printer Module

DS-Ce-P Rev A

General

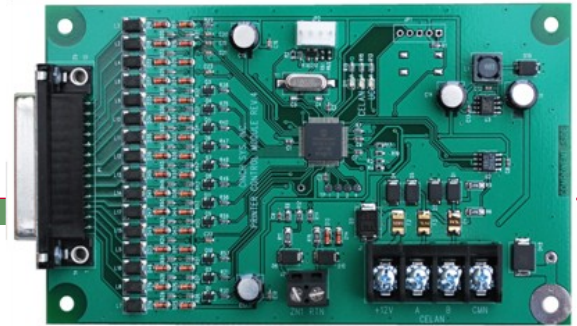
The CeLAN Printer Module allows you to connect a parallel printer to any Protector panel. The module allows you to print (or log) events as they occur. The module also includes a zone input that can be used as a tamper or any other system input.

Power for the CeLAN Printer Module is provided by, the Protector 12 VDC CeLAN power terminals, CeLAN Remote Power Module, or a separate 12 VDC-power supply capable of delivering up to 63 mA.

CeLAN AES encrypted digital data bus technology provides secure, fast and reliable data transfer between the Protector Panel and CeLAN modules.

Features

- CeLAN AES encrypted technology for security, easy setup and enhanced performance
- Single 25-pin “Centronics” Parallel Connector
- One (1) fully supervised input zone
- Five (5) state zones:
 - Open Circuit
 - Supervised Circuit (3.0k EOL)
 - Short Circuit
 - Ground Fault High
 - Ground Fault Low
- On-board LED power and CeLAN bus status indicators
- Includes Accessory Hardware kit
- Mounts inside Protector, Protector Accessory, or CeLAN AES Encrypted Receiver
- CINCH Stick’ Field Upgradeable firmware



CO-T-Printer

Printer Emulation Module, provides an output to a PC via USB cable.

Printer Module Mounting:

E-PA - Knockout available for printer connection

Encrypted Receiver - Mounting standoffs available in back of receiver enclosure



Printer Module mounted inside an Encrypted Receiver

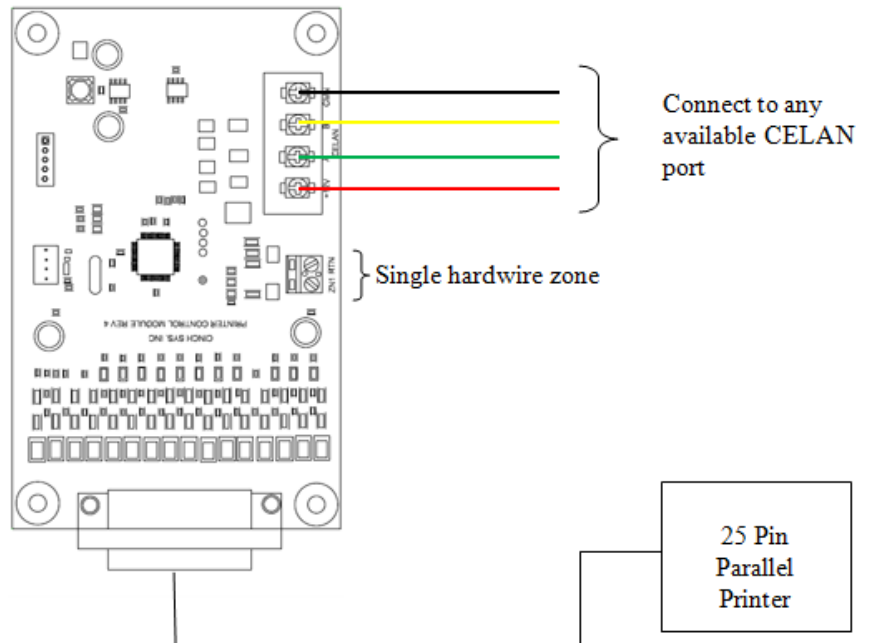
CeLAN Printer Module

Specifications

- **Power Requirements:**
 - Input: 12 VDC (8 VDC min, 14 VDC max)
 - Output: N/A
 - Current Draw: 63 mA standby, 72mA max
- **Dimensions:** 8.26" x 5.24" (LxW)
- **Environmental:**
 - Operation Temp: 32 to 120 F (0 to 49 C)
 - Humidity: 90% relative humidity
 - Storage Temp: -30 to 140 F (-34 to 60 C)
- **Inputs:** 1 supervised input
- **CELAN Devices per System:** 100
- **Supervision:** 3K Ohm Resistor
- **Encryption:** 128 bit AES
- **Accessories:**
 - Plastic Enclosure: E-CP
 - Small metal enclosure: E-PA-S
 - Medium metal enclosure: E-PA
- **Compatibility:** Protector
- **Listings:**
 - UL: 1076
 - FCC: Part 15
 - FIPS 197 Cert #1125



Citizen
CT-S4000PAU-BK
Printer



Ordering

Control Panel
PCU-IDS Protector Panel

Touch Screen
Ce-TS Touch Screen

Expansion Modules
Ce-2ZI 2 Zone Input
Ce-8ZI 8 Zone Input
Ce-4RO 4 Relay Output
Ce-24ZI 24 Zone Input

Communication Modules
Ce-FC-N Fiber Conversion
Ce-TCP/IP Network Module
Ce-FC-ER Fiber Conversion

CeLAN Modules
Ce-DS938Z Motion
Ce-DS308 Motion
Ce-DSISC Motion
Ce-M3ZS HSS L2 Contact
Ce-M1ZRS Recessed Contact
Ce-1076DRS Recessed Contact
Ce-1076HRS Recessed Contact
Ce-U1Z Universal 1 Zone
Ce-WF2ZI Wellsfargo Contact
Ce-U2Z Universal 2 Zone

Receivers
Ce-AESR-IDS AES Receiver

CeLAN Accessories
CO-CSU Cinch Stick
CO-PS2K1 Keyboard Module
CO-T-P Panel Tester
CO-T-8Z 8 Zone Tester
CO-T-4R 4 Relay Tester
CO-T-Printer Printer Tester
CO-PRSI Siren Supervision
Ce-EX Expansion Module

Power
ACC-24T-100 Transformer
ACC-B12-18 18Ahr Battery
ACC-B12-7 7Ahr Battery
ACC-6P Power Cord
E-CB Termination Box

Accessories
L-M-KD Panel Lock
L-M-KA Panel Lock
ACC-CFC-S Fiber Cable
L-S Standard Panel Lock
ACC-CFC-MM Fiber Cable
S-ET Panel Tamper

Enclosures
E-P Panel Enclosure
E-P-Kit
E-CP Plastic Enclosure
E-PA Accessory Enclosure
E-PA-Kit
E-PA-S Small Accessory Enclosure
E-PA-S-Kit

For more information: www.cinchsystems.com

Cinch Systems
10275 43rd St NE, Ste 300
St Michael, MN 55379
1-763-497-1059

