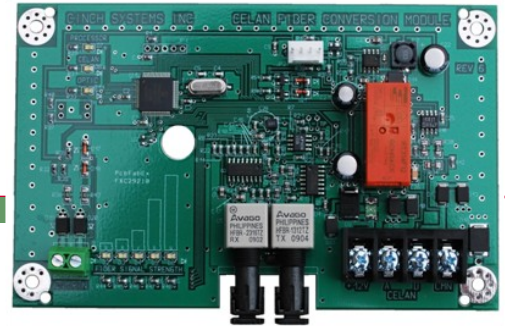


CeLAN Fiber Conversion

DS-Ce-FC Rev A



General

The CeLAN Fiber Conversion Module expands the versatility of Protector Panel by allowing the CeLAN to be converted from standard copper wires to a dual fiber. On Protector Systems, you can connect multiple fiber conversion modules to a single panel as needed to provide secure communications.

The fiber optic communication performance can readily be determined via the on-board LED Fiber Strength Meter. The meter uses 5 LEDs (one red and 4 green) to display the strength of the fiber signal coming in from the other CeLAN Fiber Conversion Module and is a readily recognized in a 'cell phone' like signal strength display.

CeLAN Fiber Conversion Modules:

- Ce-FC-N Normal Range (Multimode)
- Ce-FC-ER Extended Range (Multimode)
- Ce-FC-S Single Mode (Single Mode)

Multimode Fiber:

Multimode fiber is mostly used for communication means over shorter distances, as within a building. Typical multimode links have data rates of 10 Mbit/s to 10 Gbit/s over lengths up to 600 meters.

Multimode fiber has a larger core size allowing for simpler connections, normally orange in color (may differ in some locations)

Single Mode Fiber:

Single mode fiber is used where a high precision communication means is required. Better performance over long distances.

Single mode fiber has a smaller core, and normally yellow in color (may differ in some locations)

Features

- CeLAN AES encrypted technology for security, easy setup and enhanced performance
- 5 LED Bar Graph Fiber Signal Strength display
- ST/SC Fiber Connectors
- One (1) fully supervised input zone
- Five (5) state zones:
 - Open Circuit
 - Supervised Circuit (3.0k EOL)
 - Short Circuit
 - Ground Fault High
- On-board LED power and CeLAN bus status indicators
- Includes Accessory Hardware kit
- Mounts inside Protector, Protector Accessory, or Encrypted Receiver
- 'CINCH Stick' Field Upgradeable firmware



Multimode Fiber

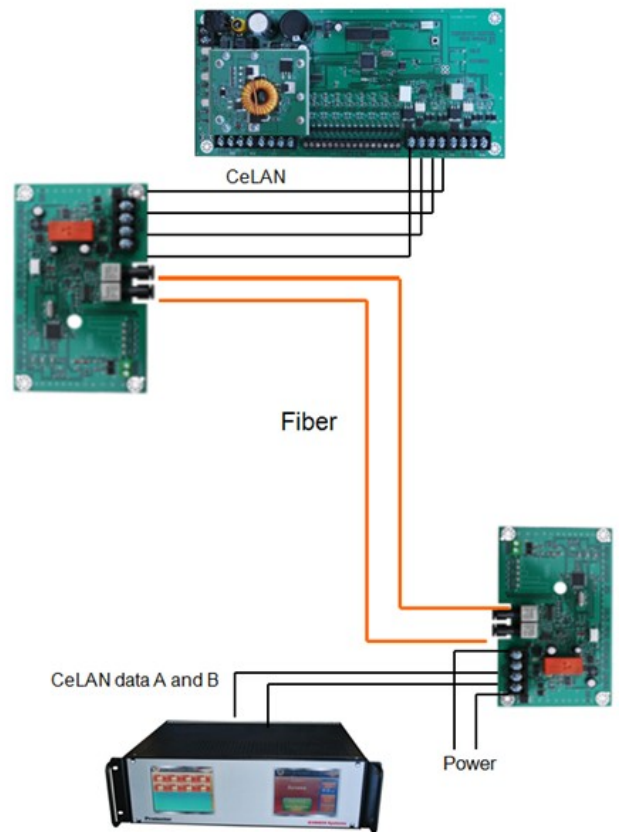


Single Mode Fiber

CeLAN Fiber Conversion

Specifications

- **Power Requirements:** 12 VDC nominal (8.0 VDC minimum, 30 VDC maximum), 35 mA maximum
- **Panel Data Bus:** CeLAN - 128 Bit AES Encrypted
- **CINCH Stick Port:** One (1) - 128 Bit AES Encrypted, CINCH Stick port.
- **Fiber Connector Type:** Threaded ST Conductive Port
- **Storage Temperature:** -30° to 140° F (-34° to 60° C)
- **Operating Temperature:** 32° to 120° F (0° to 49° C), up to 140° F (60° C) under temporary conditions
- **Maximum Humidity:** 90% relative humidity, non-condensing
- **Listings:** UL 1076
FCC Part 15
FIPS 97 Cert# 1125



Ordering

Control Panel
PCU-IDS Protector Panel

Touch Screen
Ce-TS Touch Screen

Expansion Modules
Ce-2ZI 2 Zone Input
Ce-8ZI 8 Zone Input
Ce-4RO 4 Relay Output
Ce-24ZI 24 Zone Input

Communication Modules
Ce-FC-N Fiber Conversion
Ce-TCP/IP Network Module
Ce-FC-ER Fiber Conversion

CeLAN Modules
Ce-DS938Z Motion
Ce-DS308 Motion
Ce-DSISC Motion
Ce-M3ZS HSS L2 Contact
Ce-M1ZRS Recessed Contact
Ce-1076DRS Recessed Contact
Ce-1076HRS Recessed Contact
Ce-U1Z Universal 1 Zone
Ce-WF2ZI Wellsfargo Contact
Ce-U2Z Universal 2 Zone

Receivers
Ce-AESR-IDS AES Receiver

CeLAN Accessories
CO-CSU Cinch Stick
CO-PS2KI Keyboard Module
CO-T-P Panel Tester
CO-T-8Z 8 Zone Tester
CO-T-4R 4 Relay Tester
CO-T-Printer Printer Tester
CO-PRSI Siren Supervision
Ce-EX Expansion Module

Power
ACC-24T-100 Transformer
ACC-B12-18 18Ahr Battery
ACC-B12-7 7Ahr Battery
ACC-6P Power Cord
E-CB Termination Box

Accessories
L-M-KD Panel Lock
L-M-KA Panel Lock
ACC-CFC-S Fiber Cable
L-S Standard Panel Lock
ACC-CFC-MM Fiber Cable
S-ET Panel Tamper

Enclosures
E-P Panel Enclosure
E-P-Kit
E-CP Plastic Enclosure
E-PA Accessory Enclosure
E-PA-Kit
E-PA-S Small Accessory Enclosure
E-PA-S-Kit

For more information: www.cinchsystems.com

Cinch Systems
10275 43rd St NE, Ste 300
St Michael, MN 55379
1-763-497-1059



CINCH
AES ENCRYPTED