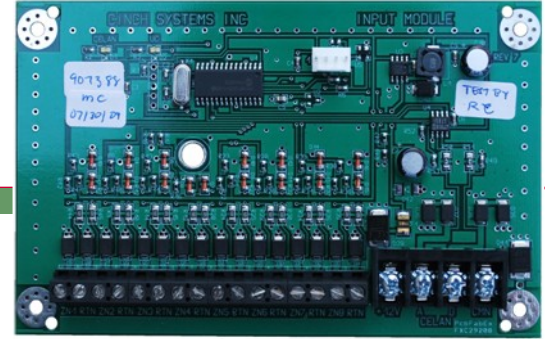


CeLAN

8 Zone Input Module

DS-Ce-8ZI Rev A



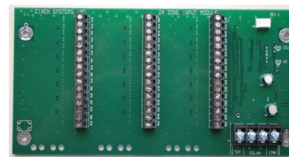
The CeLAN 8 Zone Input Module expands the Protector control panel by adding eight hardwire input zones. You can connect multiple modules to a single panel for up to 256 input points.

Both normally open and normally closed devices can be wired to an input module. The module monitors all zones and alerts the panel if any one of five conditions exists; open circuit, short circuit, ground fault high side, ground fault low side and alarm conditions. The circuits use a 3K ohm end of line resistor to monitor each input.

The input module comes with eight 3.0K ohm EOL resistors and mounting hardware for mounting in the protector enclosure, accessory enclosure, or plastic enclosure.

The CeLAN data bus provides fast reliable, encrypted data transfer from the device to the control panel. The CeLAN provides automatic device enrollment upon initial power-up and the ability to assign text labels for easy system

Protector System CeLAN Expansion:



Ce-24ZI provides 24 zones



Ce-8ZI provides 8 zones



Ce-2ZI provides 2 zones

Features

- AES Encrypted CeLAN communications
- Five (5) state zones:
 - Open Circuit
 - Supervised Circuit (3k EOL)
 - Short Circuit
 - Ground Fault High
 - Ground Fault Low
- ‘CINCH Stick’ Field Upgradeable software
- Includes Accessory Hardware kit
- Mounts inside Protector or Protector Accessory Enclosures,

Ordering Information:

Part # Ce-8ZI, includes eight 3.0K ohm resistors, and mounting hardware

Mounting Considerations:

E-P Protector Enclosure - 3 modules

E-PA Accessory Enclosure - 2 modules (if a Ce-RP with transformer is installed only 1 module will fit)

E-PA-S Small Enclosure - 1 module

E-CP Plastic Enclosure - 1 module

CeLAN 8 Zone Input Module

Specifications

Power Requirements:

Input: 12 VDC (10 VDC min, 14 VDC max)

Output: N/A

Current Draw: 25 mA max

Dimensions: 8.26" x 5.24" (LxW)

Environmental:

Operation Temp: 32 to 120 F (0 to 49 C)

Humidity: 90% relative humidity

Storage Temp: -30 to 140 F (-34 to 60 C)

Inputs: 8 hardwired supervised inputs

CeLAN Devices per System: 100

Supervision: 3K Ohm Resistor

Accessories:

Large metal enclosure: E-P

Small metal enclosure: E-PA-S

Medium metal enclosure: E-PA

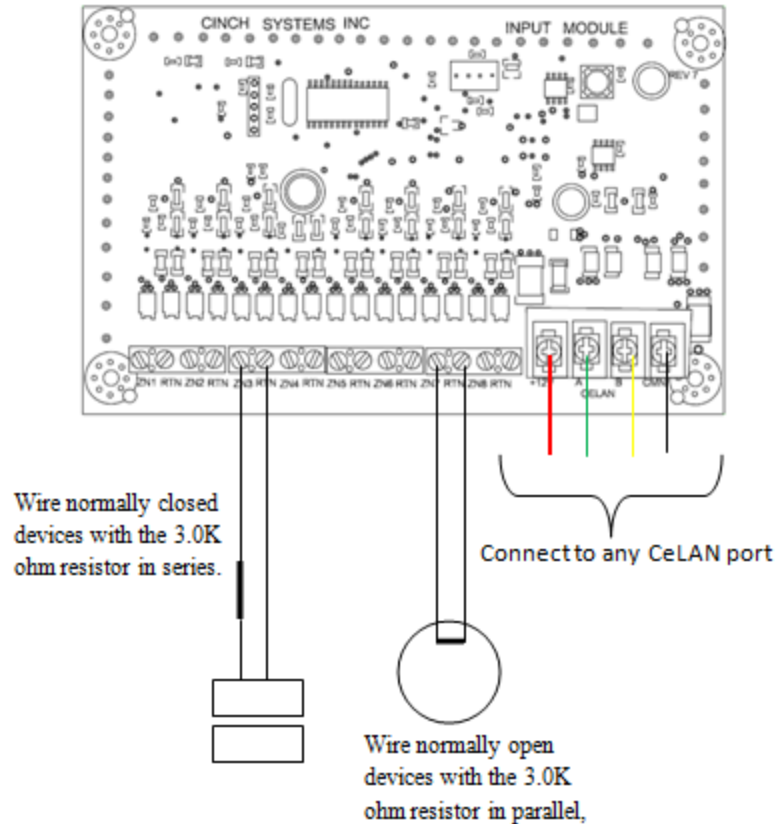
Plastic enclosure: E-CP

Listings:

UL: 1076

FCC: Part 15

FIPS 197



Ordering

Control Panel

PCU-IDS Protector Panel

Touch Screen

Ce-TS Touch Screen

Expansion Modules

Ce-2ZI 2 Zone Input

Ce-8ZI 8 Zone Input

Ce-4RO 4 Relay Output

Ce-24ZI 24 Zone Input

Comm Modules

Ce-FC-N Fiber Conversion

Ce-TCP/IP Network Module

Ce-FC-ER Fiber Conversion

CeLAN Modules

Ce-DS938Z Motion

Ce-DS308 Motion

Ce-DSISC Motion

Ce-M3ZS HSS L2 Contact

Ce-M1ZRS Recessed Contact

Ce-1076DRS Recessed Contact

Ce-1076HRS Recessed Contact

Ce-U1Z Universal 1 Zone

Ce-WF2ZI Wellsfargo Contact

Ce-U2Z Universal 2 Zone

Receivers

Ce-AESR-IDS AES Receiver

CeLAN Accessories

CO-CSU Cinch Stick

CO-PS2K1 Keyboard Module

CO-T-P Panel Tester

CO-T-8Z 8 Zone Tester

CO-T-4R 4 Relay Tester

CO-T-Printer Printer Tester

CO-PRSI Siren Supervision

Ce-EX Expansion Module

Power

ACC-24T-100 Transformer

ACC-B12-18 18Ahr Battery

ACC-B12-7 7Ahr Battery

ACC-6P Power Cord

E-CB Termination Box

Accessories

L-M-KD Panel Lock

L-M-KA Panel Lock

ACC-CFC-S Fiber Cable

L-S Standard Panel Lock

ACC-CFC-MM Fiber Cable

S-ET Panel Tamper

Enclosures

E-P Panel Enclosure

E-P-Kit

E-CP Plastic Enclosure

E-PA Accessory Enclosure

E-PA-Kit

E-PA-S Small Accessory Enclosure

E-PA-S-Kit

For more information: www.cinchsystems.com

Cinch Systems

10275 43rd St NE, Ste 300

St Michael, MN 55379

1-763-497-1059

