

CeLAN

# Barrier Controller-EZ

**Product Part #**  
**Ce-VBS-EZ**

**Datasheet:**  
DS-CE-VBS-EZ Rev A1

CeLAN Vehicle Barrier System Module—EZ

11 Supervised Digital Inputs

12 and 24 VDC outputs

Onboard 2x16 LCD display

Up to 32 GB event memory can store up to 260 million events

Advanced AES encrypted protection for new and existing security alarm installations.

[customerservice@cinchsystems.com](mailto:customerservice@cinchsystems.com)

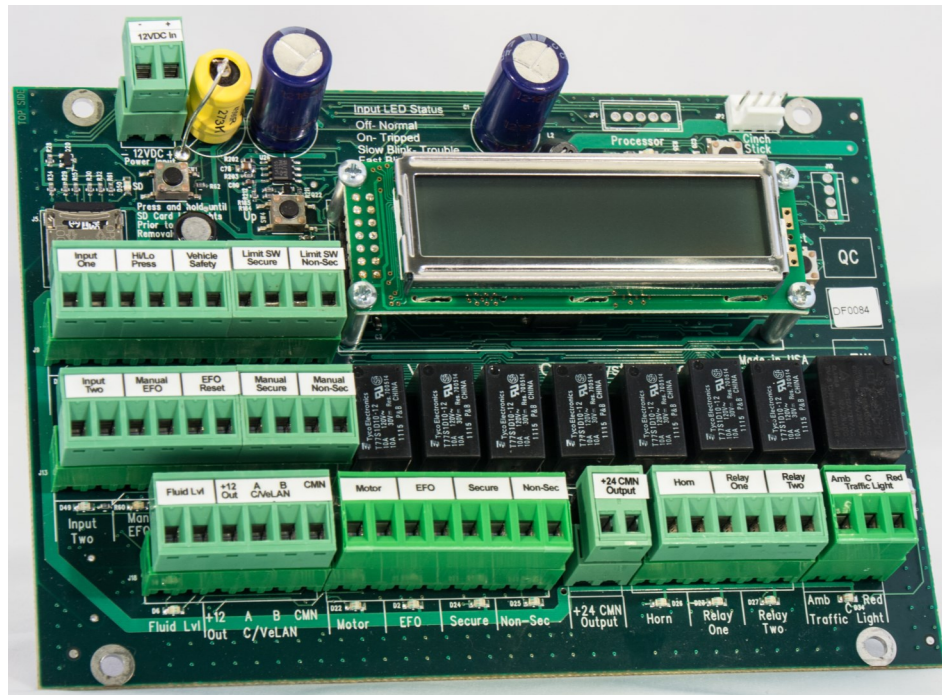
[www.cinchsystems.com](http://www.cinchsystems.com)

+1.763.497.1059

AES Encrypted  
FIPS 197 Cert# 1125

## Flexible and Scalable

The Ce-VBS-EZ Module provides a microprocessor based standalone vehicle barrier system or a multi-barrier system when used with the Rampart Central Controller. The module's cost effective COTS design provides a simple to install barrier solution with unparalleled ease of use and security.



Mission-driven performance  
SCIFs  
Icon Sites  
Embassies  
Command Centers  
Critical Infrastructure

Advanced metrics,  
maintenance tracking,  
high reliability



## Specifications

**Input Power:** 12 VDC nominal (10 VDC minimum, 14 VDC maximum), 300mA maximum (standby board only)

**Output Power:** 24VDC or 12VDC

**Input Supervision:** 3.0K ohm resistor

**Outputs:** 7 Form A relays and 1 Form C relay rated at 10A @120VAC and 10A @ 30VDC

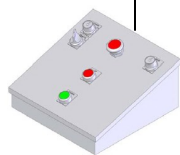
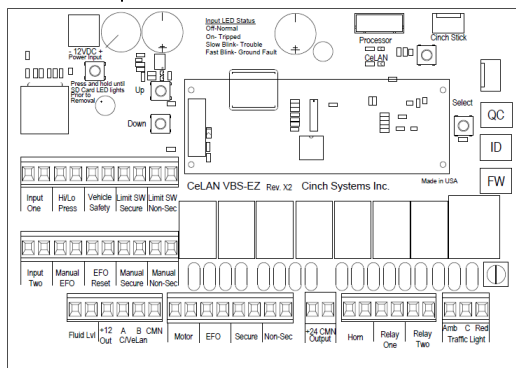
**Board Dimensions:** 6.5 (L) X 4.57 (W)

**Operating Temperature:** 23° to 131° F (-5° to 55° C). Up to 140° F or 60° C under temporary conditions.

**Storage Temperature:** 23° to 131° F (-5° to 55° C)

**Maximum Humidity:** 90% relative humidity, non-condensing

12VDC input power from a power supply capable of supplying a minimum 5A .



Manual Buttons

## Vehicle Barrier Inputs

Manual EFO Button	Linear Position
Manual EFO Reset	Fluid Level
Gate Arm	Hi/Lo Pressure
Card Reader	Gate Arm
High/Low Pressure	Reader Valid
Traffic Safety 1	Cylinder Heater Current
Traffic Safety 2	
Manual Up Button	
Manual Down Button	
Limit Switch Secure	

## Vehicle Barrier Outputs

EFO Valve Relay	Warning Horn Relay
Non-Secure Valve Relay	Traffic Light Red
Secure Valve Relay	Traffic Light Amber
Motor Run Relay	Limit UP Status Output
Gate Arm	Limit Down Status Output

