

# CeLAN

## 4 Relay Output Module

DS-Ce-4RO Rev A



The CeLAN 4-Relay Output Module allows for the addition of up to 4 additional programmable relay outputs and 2 additional supervised hardwired zones. Each module includes mounting hardware and two 3.0K ohm end-of-line (EOL) resistors. Power for the module is provided by the Protector Panel, CeLAN Remote Power Module, or other approved 12 VDC power source capable of providing at least 180 mA.

Protector systems can be expanded to a total of 100 programmable output relays. The Protector panel allows for very powerful yet easy to program output control logic.

Both normally open and normally closed detectors can be wired to the module input. Using an EOL resistor on each loop input, the module monitors all zones and alerts the panel if there is a change of state in the circuit.

### Applications:

- Remote system status
- Camera control
- Trigger remote devices
- HVAC shutdown
- Lighting control
- Door control/release
- Exterior siren
- Zone indicator

### Features

- AES Encrypted CeLAN communications
- Five (5) state zones:
  - Open Circuit
  - Supervised Circuit (3k EOL)
  - Short Circuit
  - Ground Fault High
  - Ground Fault Low
- ‘CINCH Stick’ Field Upgradeable software
- Includes Accessory Hardware kit
- Mounts inside Protector or Protector Accessory Enclosures,
- Four (4) Form C (dry contact) output relays rated 4A @ 24 VDC, 4A @ 24 VAC, 10A @ 28 VAC maximum.
- Two (2) fully supervised input zones

### Ordering Information:

Part #: Ce-4RO includes two 3.0K ohm resistors, and mounting hardware

### Mounting Considerations:

E-P Protector Enclosure - 3 modules

E-PA Accessory Enclosure - 2 modules (if a Ce-RP with transformer is installed only 1 module will fit)

E-PA-S Small Enclosure - 1 module

# CeLAN 4 Relay Output Module

## Specifications

### Power Requirements:

Input: 12 VDC (10 VDC min, 14 VDC max)  
 Output: N/A  
 Current Draw: 25 mA max

**Dimensions:** 8.26" x 5.24" (LxW)

### Environmental:

Operation Temp: 32 to 120 F (0 to 49 C)  
 Humidity: 90% relative humidity  
 Storage Temp: -30 to 140 F (-34 to 60 C)

**Inputs:** 2 hardwired supervised inputs

**CeLAN Devices per System:** 100

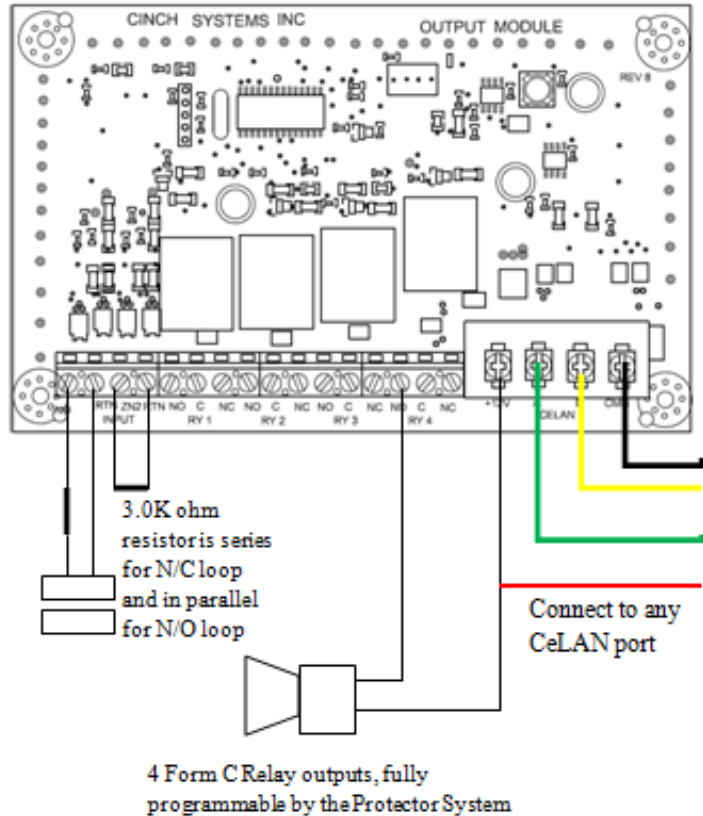
**Supervision:** 3K Ohm Resistor

### Accessories:

Large metal enclosure: E-P  
 Small metal enclosure: E-PA-S  
 Medium metal enclosure: E-PA  
 Plastic enclosure: E-CP

### Listings:

UL: 1076  
 FCC: Part 15  
 FIPS 197



## Ordering

### Control Panel

PCU-IDS Protector Panel

### Touch Screen

Ce-TS Touch Screen

### Expansion Modules

Ce-2ZI 2 Zone Input  
 Ce-8ZI 8 Zone Input  
 Ce-4RO 4 Relay Output  
 Ce-24ZI 24 Zone Input

### Communication Modules

Ce-FC-N Fiber Conversion  
 Ce-TCP/IP Network Module  
 Ce-FC-ER Fiber Conversion

### CeLAN Modules

Ce-DS938Z Motion  
 Ce-DS308 Motion  
 Ce-DSISC Motion  
 Ce-M3ZS HSS L2 Contact  
 Ce-M1ZRS Recessed Contact  
 Ce-1076DRS Recessed Contact  
 Ce-1076HRS Recessed Contact  
 Ce-U1Z Universal 1 Zone  
 Ce-WF2ZI Wellsfargo Contact  
 Ce-U2Z Universal 2 Zone

### Receivers

Ce-AESR-IDS AES Receiver

### CeLAN Accessories

CO-CSU Cinch Stick  
 CO-PS2KI Keyboard Module  
 CO-T-P Panel Tester  
 CO-T-8Z 8 Zone Tester  
 CO-T-4R 4 Relay Tester  
 CO-T-Printer Printer Tester  
 CO-PRSI Siren Supervision  
 Ce-EX Expansion Module

### Power

ACC-24T-100 Transformer  
 ACC-B12-18 Battery  
 ACC-B12-7 Battery  
 ACC-6P Power Cord  
 E-CB Termination Box

### Accessories

L-M-KD Panel Lock  
 L-M-KA Panel Lock  
 ACC-CFC-S Fiber Cable  
 L-S Panel Lock  
 ACC-CFC-MM Fiber Cable  
 S-ET Panel Tamper

### Enclosures

E-P Panel Enclosure  
 E-P-Kit  
 E-CP Plastic Enclosure  
 E-PA Accessory Enclosure  
 E-PA-Kit  
 E-PA-S Small Accessory Enclosure  
 E-PA-S-Kit

For more information: [www.cinchsystems.com](http://www.cinchsystems.com)

Cinch Systems

10275 43rd St NE, Ste 300

St Michael, MN 55379

1-763-497-1059

SECURITY



**CINCH**  
 AES ENCRYPTED